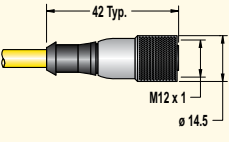
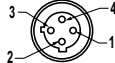
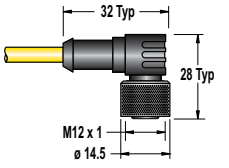


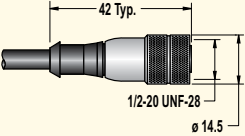

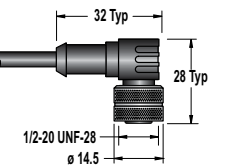
4-Pin Micro-Style Cordsets

Cable: PVC jacket, PUR (polyurethane) connector body, nickel-plated brass coupling nut
Conductors: 22 AWG, gold-plated contacts
Voltage Rating: 125V ac/150V dc
Temperature: -40° to +80° C **Environmental Rating:** IP67

Style	Length	Model	Cable Diameter	Dimensions (mm)	Pinout	Used With
Straight	1.83 m	MQEAC-406	5.7 mm		<p>Female</p>  <p>1 = Red/Black 2 = Red/White 3 = Red 4 = Green</p>	• SI-HG80 hinge-style switches
	4.57 m	MQEAC-415				
	9.14 m	MQEAC-430				
Right-Angle	1.83 m	MQEAC-406RA	5.70 mm		<p>1 = Red/Black 2 = Red/White 3 = Red 4 = Green</p>	
	4.57 m	MQEAC-415RA				
	9.14 m	MQEAC-430RA				

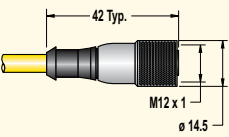

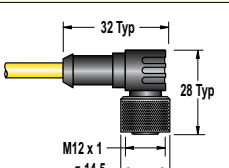
5-Pin Micro-Style Cordsets with Shield

Cable: PVC jacket, PUR (polyurethane) connector body, nickel-plated brass coupling nut
Conductors: 22 AWG with 22 AWG drain wire (shielded), gold-plated contacts
Voltage/Current Rating: 250V ac/dc, 4.0 A
Temperature: -40° to +105° C **Environmental Rating:** IP67

Style	Length	Model	Cable Diameter	Dimensions (mm)	Pinout	Used With
Straight	1.83 m	MQVR3S-506	6.10 mm		<p>Female</p>  <p>1 = Brown 2 = White 3 = Yellow 4 = Black 5 = Blue</p>	• QT50U ac/dc sensors • EZ-LIGHT ac indicators
	4.57 m	MQVR3S-515				
	9.14 m	MQVR3S-530				
Right-Angle	1.83 m	MQVR3S-506RA	6.10 mm		<p>1 = Brown 2 = White 3 = Yellow 4 = Black 5 = Blue</p>	
	4.57 m	MQVR3S-515RA				
	9.14 m	MQVR3S-530RA				

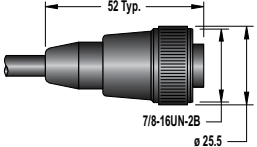

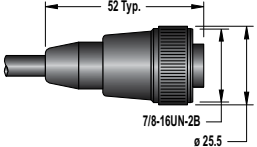

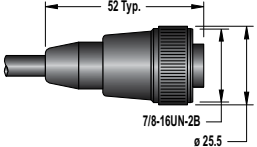

6-Pin Micro-Style Cordsets

Cable: PVC jacket, PUR (polyurethane) connector body, nickel-plated brass coupling nut
Conductors: 22 AWG, gold-plated contacts
Voltage/Current Rating: 125V ac, 4.0 A
Temperature: -40° to +80° C **Environmental Rating:** IP67

Style	Length	Model	Cable Diameter	Dimensions (mm)	Pinout	Used With
Straight	1.83 m	MQEAC-606	5.60 mm		<p>Female</p>  <p>1 = Red/White 2 = Red 3 = Green 4 = Red/Yellow 5 = Red/Black 6 = Red/Blue</p>	• SI-HG63 hinge-style switches
	4.57 m	MQEAC-615				
	9.14 m	MQEAC-630				
Right-Angle	1.83 m	MQEAC-606RA	5.60 mm		<p>1 = Red/White 2 = Red 3 = Green 4 = Red/Yellow 5 = Red/Black 6 = Red/Blue</p>	
	4.57 m	MQEAC-615RA				
	9.14 m	MQEAC-630RA				

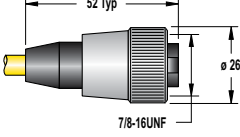
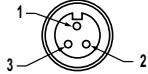
3-Pin Mini-Style Cordsets

Cable: PVC jacket, PUR (polyurethane) connector body, nylon coupling nut
Conductors: 18 AWG, PVC insulation, gold-plated contacts
Voltage/Current Rating: 300V ac/dc, 9.0 A
Temperature: -40° to +80° C **Environmental Rating:** IP67

Style	Length	Model	Cable Diameter	Dimensions (mm)	Pinout	Used With				
Straight	1.83 m	MBCC-306	7.00 mm		Female  1 = Brown 3 = Blue 4 = Black	<ul style="list-style-type: none"> • Q45 • SM30 Intrinsically safe dc sensors 				
	3.66 m	MBCC-312								
	9.14 m	MBCC-330								
Straight	1.83 m	SMICC-306			7.00 mm		Female  1 = Brown 3 = Blue 4 = Black	<ul style="list-style-type: none"> • SM30 2-wire ac sensors 		
	3.66 m	SMICC-312								
	9.14 m	SMICC-330								
Straight	1.83 m	SM30CC-306					7.00 mm		Female  1 = Red/Black 3 = Red/White 4 = Green	<ul style="list-style-type: none"> • SM30 2-wire ac sensors
	3.66 m	SM30CC-312								

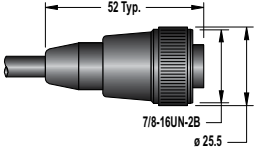

3-Pin Mini-Style Cordsets

Cable: PVC jacket, PUR (polyurethane) connector body, nickel-plated brass coupling nut
Conductors: 18 AWG, PVC insulation, gold-plated contacts
Voltage Rating: 250V ac/300 dc
Temperature: -40° to +80° C **Environmental Rating:** IP67

Style	Length	Model	Cable Diameter	Dimensions (mm)	Pinout	Used With
Straight	4.75 m	QDS-315C	7.00 mm		Female  1 = Green/Ye 2 = Brown 3 = Blue	<ul style="list-style-type: none"> • EZ-SCREEN Emitters w/3-pin QD (Point & Grid)
	7.62 m	QDS-325C				
	15.2 m	QDS-350C				
	22.9 m	QDS-375C				
	30.5 m	QDS-3100C				

4-Pin Mini-Style Cordsets

Cable: PVC jacket, PUR (polyurethane) connector body, nylon coupling nut
Conductors: 18 AWG, gold-plated contacts
Voltage/Current Rating: 300V ac/dc, 9.0 A
Temperature: -40° to +80° C **Environmental Rating:** IP67

Style	Length	Model	Cable Diameter	Dimensions (mm)	Pinout	Used With
Straight	1.83 m	MBCC-406	7.00 mm		Female  1 = Brown 2 = White 3 = Blue 4 = Black	<ul style="list-style-type: none"> • Q45 dc sensors (suffix Q) • OMNI-BEAM dc power blocks • SM30 dc sensors • OTB w/solid-state output • STB with solid-state output
	3.66 m	MBCC-412				
	9.14 m	MBCC-430				